

ARCHE
HV
HORIZONTAL



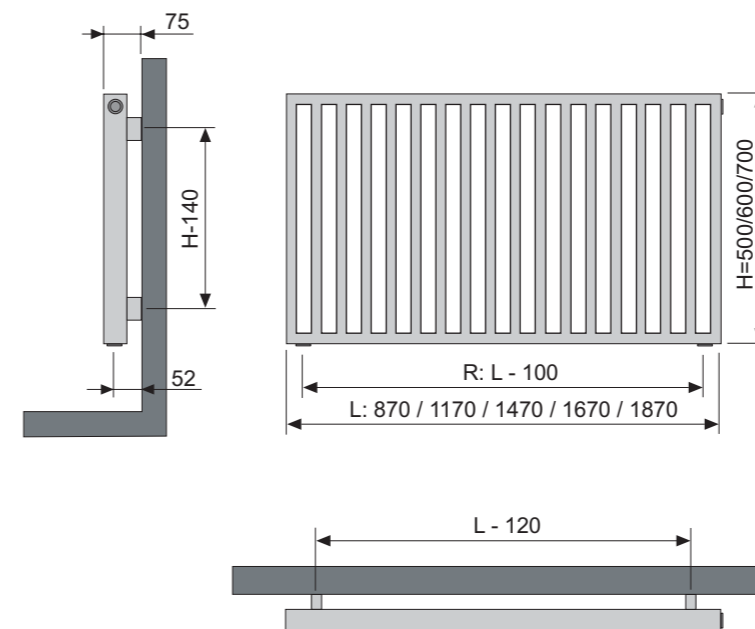
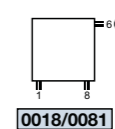
Reference nr.	Connection	Tubes	Width	Height	Colour	HEAT OUTPUTS				RAL 9016		COLOURS	
Type	Number of tubes	Width L (mm)	Height H (mm)	75/65/20= ΔT50	90/70/20	n-Exponent	Weight (kg)	Water content (l)	Ref. nr. white		Ref. nr. colour		
HV	18	870	500	544	672	1,20	12,46	7,16	51809		51800		
HV	18	870	600	635	786	1,21	14,65	8,59	51819		51810		
HV	18	870	700	728	903	1,22	16,84	10,01	51829		51820		
HV	24	1170	500	731	904	1,20	16,75	9,63	51839		51830		
HV	24	1170	600	854	1057	1,21	19,70	11,55	51849		51840		
HV	24	1170	700	979	1214	1,22	22,65	13,47	51859		51850		
HV	30	1470	500	919	1135	1,20	21,05	12,10	51869		51860		
HV	30	1470	600	1073	1328	1,21	24,75	14,51	51879		51870		
HV	30	1470	700	1230	1526	1,22	28,46	16,92	51889		51880		
HV	34	1670	500	1044	1290	1,20	23,91	13,74	51899		51890		
HV	34	1670	600	1219	1509	1,21	28,12	16,48	51909		51900		
HV	34	1670	700	1398	1733	1,22	32,33	19,22	51919		51910		
HV	38	1870	500	1169	1444	1,20	26,78	15,39	51929		51920		
HV	38	1870	600	1365	1690	1,21	31,49	18,46	51939		51930		
HV	38	1870	700	1565	1941	1,22	36,20	21,52	51949		51940		

CE 07 in conformity with EN442-1 radiators and convectors

ARCHE **HORIZONTAL**

- Types **HV (vertical tubes) radiator for bathroom, kitchen, hall and living room**
- Tubes **rectangular 45 x 20 mm**
- Accessories **not applicable**
- Finish **primed using electrophoresis, electrostatic powder coating with epoxy-polyester**
- Valve set **designer valve set 1-8 in option**
- Suspension **wall mountings delivered as standard**
- Formation **horizontal, wall mounting**
- Operating pressure **4 bar (standard)**
- Electrical **not applicable**
- Particularities **not available in the colour M350 stainless steel look**
- Connections **3 x 1/2": 18, 81**

Please mention the connection when ordering!



ARCHE HV



75/65/24°C = 75/65/20°C x 0.90 • 90/70/24°C = 75/65/20°C x 1.16 75/65/20 = ΔT50.